

Ambrogio Robot L210

MD-CO-RO-25 - Rev. 5.9 - 30/01/2018 - Ambrogio Robot L210

Spare Parts Catalogue

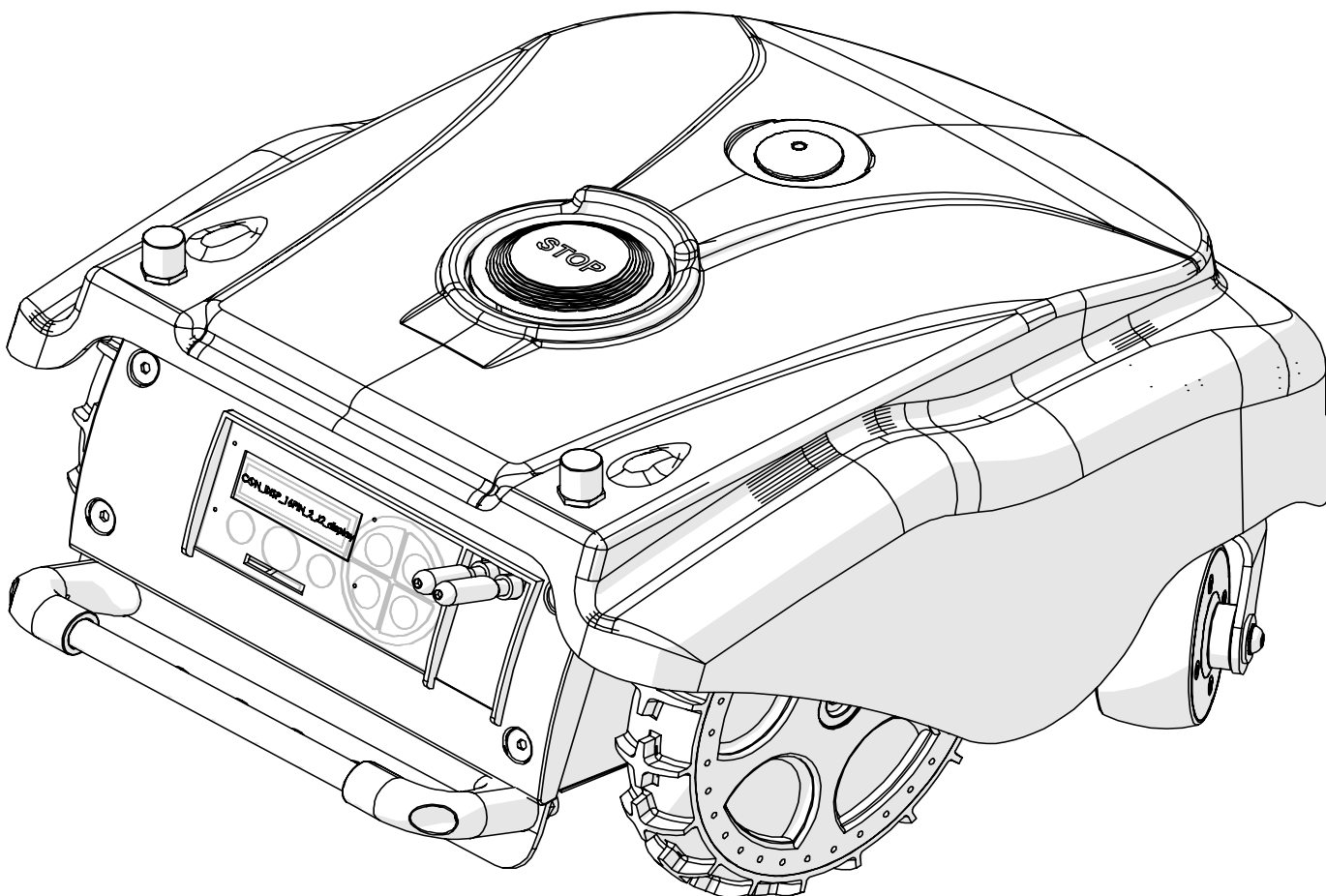
Previous Revision 5.8
Current Revision 5.9

From 2018-01

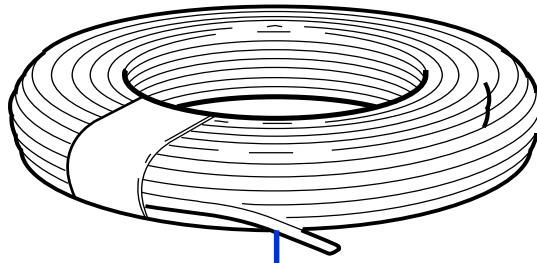
Models Type Included

7200EL0

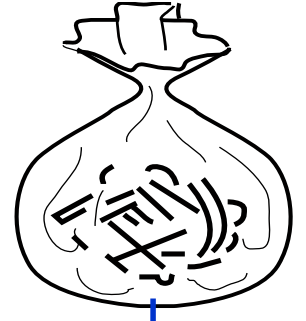
Ambrogio L210



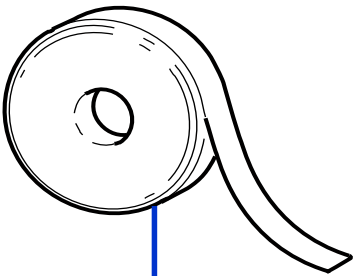
Price List. Only for Italy. Delivery cost not included
Listino al pubblico. Trasporto non incluso



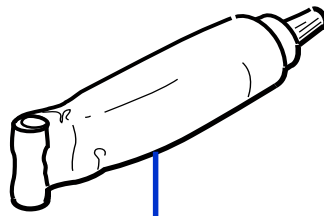
2



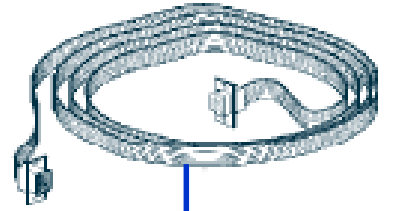
3



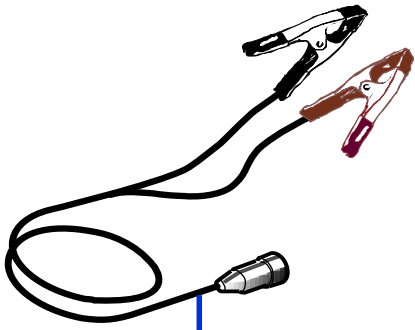
4



5



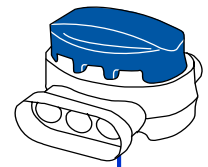
6



7



8



9

Tav. **01** **0**
 Tab.
 Taf.

Prezzo 22% IVA Inclusa. Price with 22% VAT Included.

Prezzo senza IVA. Price without VAT

| Rif. | Code | Qt.in Robot | | (IT) Descrizione * (GB) Description | MOQ | Net Price | Public Price |
|------|-------------|-------------|---------|-------------------------------------|-----|-----------|--------------|
| 2 | CS_E0002OS | 1 | MT 100 | Cavo - Cable | 1 | 44,20 | 53,92 |
| 2 | CS_E0002 | 1 | MT 150 | Cavo - Cable | 1 | 66,00 | 80,52 |
| 2 | CS_E0002_3 | 1 | MT 300 | Cavo - Cable | 1 | 133,40 | 162,75 |
| 2 | CS_E0002_5 | 1 | MT 500 | Cavo - Cable | 1 | 226,50 | 276,33 |
| 2 | CS_E0002_10 | 1 | MT 1000 | Cavo - Cable | 1 | 453,10 | 552,78 |

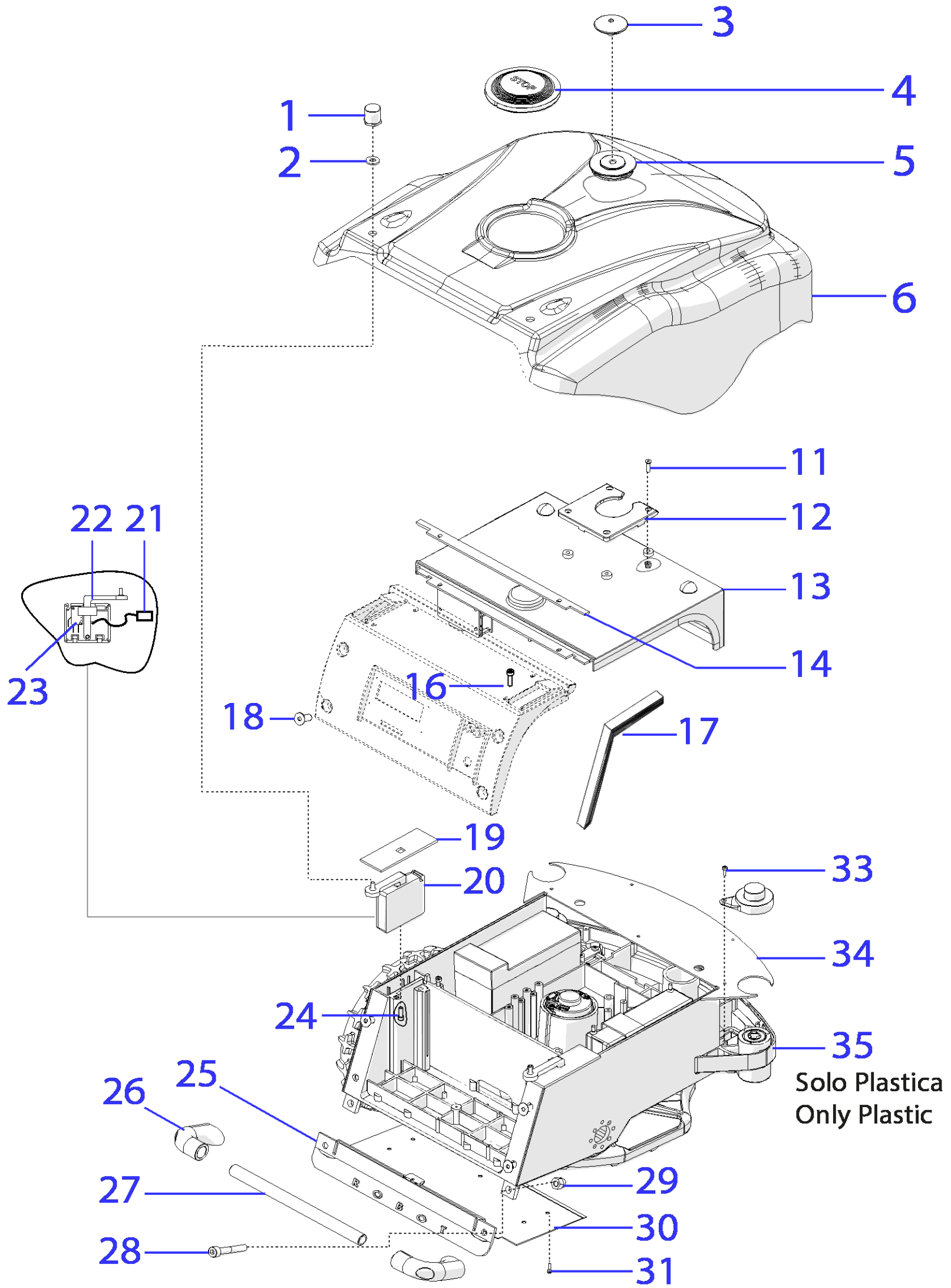
Consegna in 60 giorni dall'ordine - Delivery Time 60 days from order date

| | | | | | | | |
|---|-------------|-----|------------|--|---|--------|--------|
| 3 | 200A00100A | 0-1 | (100 Pz) | Conf. Chiodi - Nails Bag | 1 | 11,70 | 14,27 |
| 3 | 200A00200A | 0-1 | (200 Pz) | Conf. Chiodi - Nails Bag | 1 | 21,60 | 26,35 |
| 4 | CS_C0111 | 0 | | Nastro Agglomerante - Stretch Electrical Tape | 1 | 25,60 | 31,23 |
| 5 | CS_C0109 | 0 | 200 Gr | Grasso - Grease | 1 | 20,30 | 24,77 |
| 6 | AMBCAPROG | 0 | | Programming Cable - Cavo Programmazione | 1 | 17,20 | 20,98 |
| 7 | CB01RICINV3 | 0 | | Kit Ricarica Invernale - Kit for Winter Garaging | 1 | 55,20 | 67,34 |
| 8 | CS_GSM-GPRS | 0 | Only Elite | Kit - Scheda GSM - GSM Board kit | 1 | 199,00 | 242,78 |
| 9 | 200A00003 | 1 | | (3pcs) - Connettore - Connector | 1 | 4,90 | 5,98 |
| 9 | 200A00001 | 0 | | (10pcs) - Connettore - Connector | 1 | 13,90 | 16,96 |
| 9 | 200A00050 | 0 | | (50pcs) - Connettore - Connector | 1 | 57,60 | 70,27 |

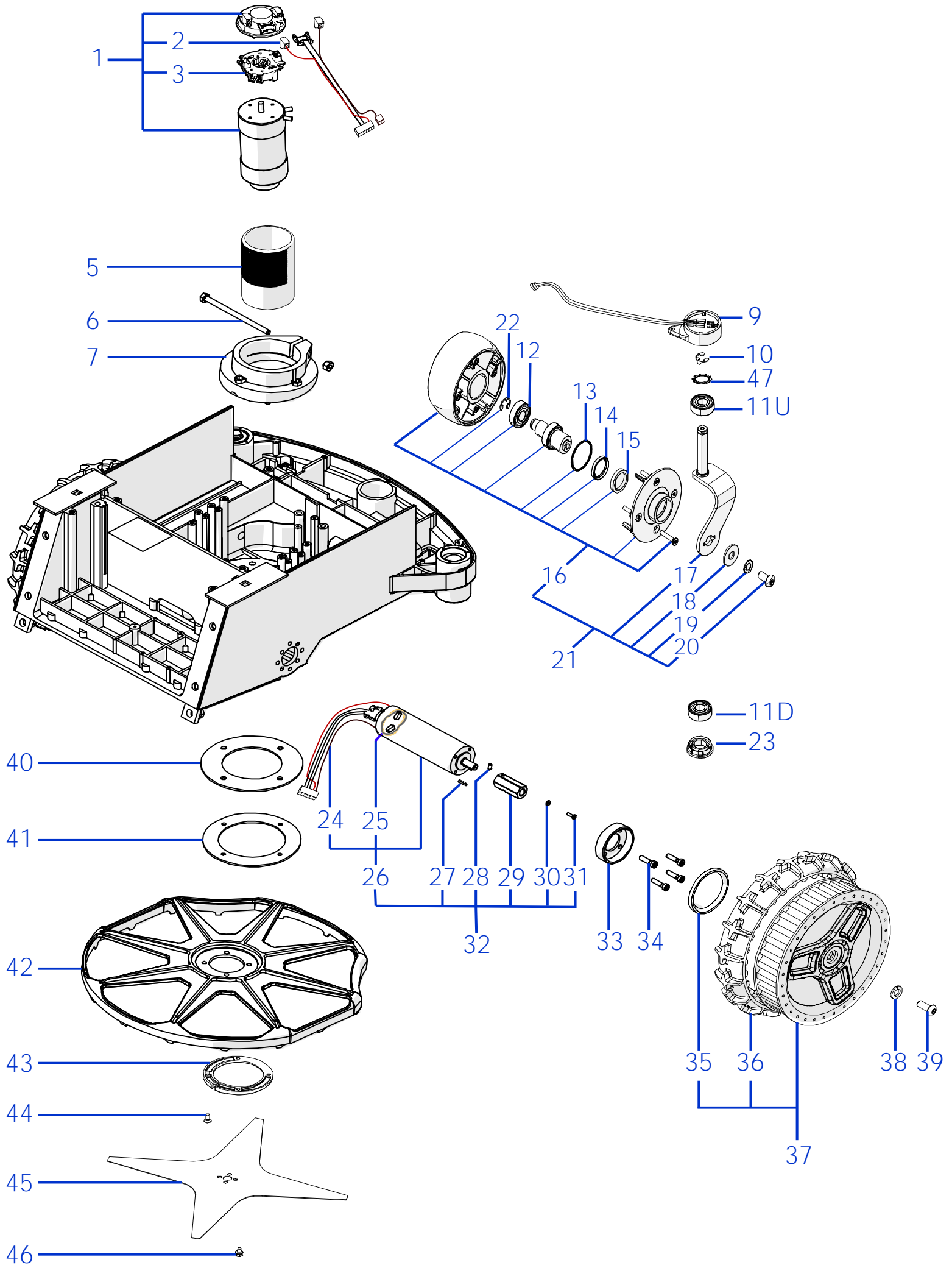
Solo per rivenditori
 Only for dealer

| Code | (IT) Descrizione * (GB) Description | MOQ | Net Price |
|-----------|--|-----|--------------------|
| CS_E0032 | Kit test batteria - battery test Kit | 1 | 100,80 No discount |
| CS_BT_USB | Convertitore USB-Bluetooth - USB-Bluetooth Converter | 1 | 40,00 No discount |

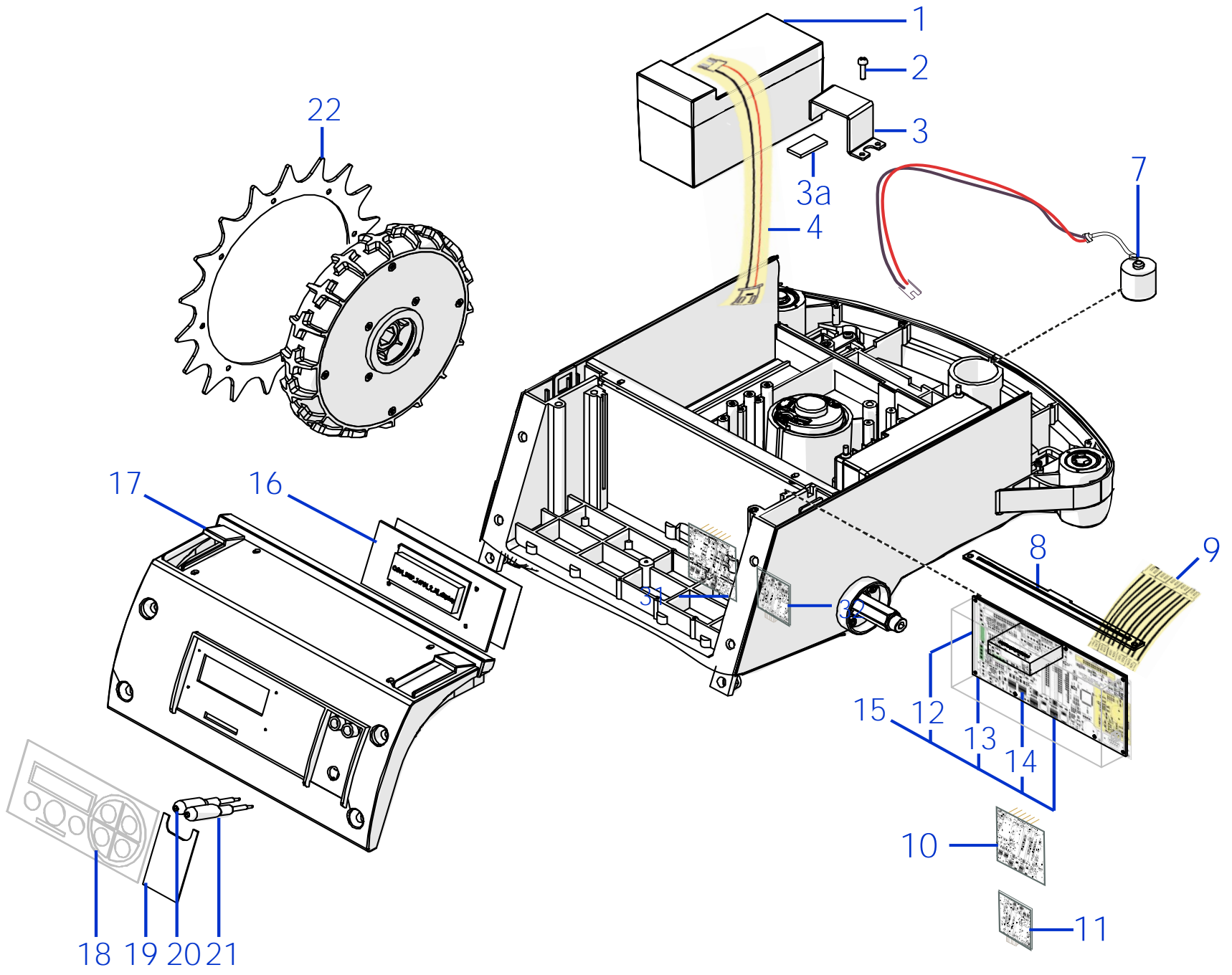




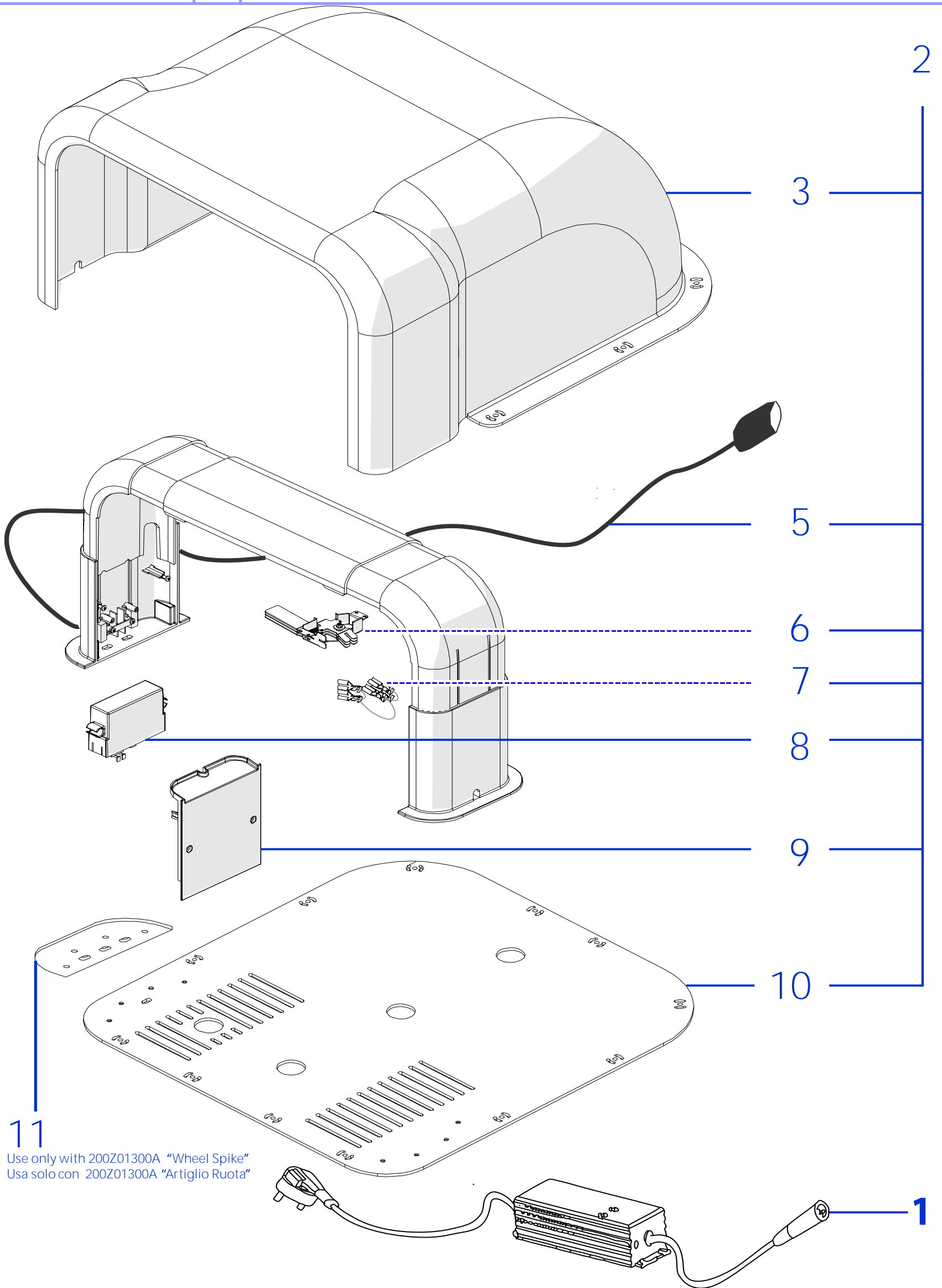
| Rif. | Code | Qt.in Robot | | (IT) Descrizione * (GB) Description | MOQ | Net Price | Public Price |
|------|-------------|-------------|----------------|---------------------------------------|-----|-----------|--------------|
| 1 | 030Z08200A | 2 | | Pomello di ricarica - Recharging Bolt | 1 | 11,70 | 14,27 |
| 2 | CS_D0071 | 2 | | Guarnizione - Gasket | 10 | 3,90 | 4,76 |
| 3 | 400Z10900A | 1 | | Vite - Screw | 1 | 11,70 | 14,27 |
| 4 | 200Z16100A | 1 | | Stop Emergency - Stop Emergency | 1 | 43,20 | 52,70 |
| 5 | 200Z05900A | 1 | | Anello - Ring | 1 | 5,75 | 7,02 |
| 6 | 200A01000AR | 1 | Elite | Gruppo Calotta - Cap Set | 1 | 132,00 | 161,04 |
| 6 | 200A04000R | 1 | Black Line | Gruppo Calotta - Cap Set | 1 | 132,00 | 161,04 |
| 6 | | 1 | | - | | | |
| 6 | | 1 | | - | | | |
| 11 | A850455 | 4 | | Vite - Screw | 100 | 18,40 | 22,45 |
| 12 | 200Z05700A | 1 | | Piastra - Plate | 1 | 13,50 | 16,47 |
| 13 | 200Z23400A | 1 | | Gruppo Copertura - Cover Set | 1 | 30,00 | 36,60 |
| 14 | CS_D0045_01 | 1 | | Guarnizione - Gasket | 10 | 4,50 | 5,49 |
| 16 | A850483 | 6 | | Vite - Screw | 100 | 24,00 | 29,28 |
| 17 | CS_C0025 | 2 | | Guarnizione - Gasket | 10 | 5,15 | 6,28 |
| 18 | A850464 | 4 | | Vite - Screw | 100 | 30,80 | 37,58 |
| 19 | CS_D0070 | 2 | | Guarnizione - Gasket | 10 | 4,50 | 5,49 |
| 20 | CS_A0004_03 | 2 | | Microswitch - Microswitch | 1 | 28,40 | 34,65 |
| 21 | CS_E0003 | 2 | | Cablaggio - Wiring | 1 | 2,80 | 3,42 |
| 22 | CS_A0008_01 | 2 | | Leva Micro - Microswitch lever | 1 | 17,00 | 20,74 |
| 23 | A220034 | 2 | | Microswitch - Microswitch | 1 | 9,00 | 10,98 |
| 24 | A850471 | 4 | | Vite - Screw | 100 | 14,80 | 18,06 |
| 25 | 200Z02100A | 1 | | Carter - Carter | 1 | 8,80 | 10,74 |
| 26 | 200Z01600A | 2 | | Curva - Curve | 1 | 12,50 | 15,25 |
| 27 | 200Z21100A | 1 | | Maniglia - Handle | 1 | 14,60 | 17,81 |
| 28 | C00649 | 2 | | Vite - Screw | 10 | 10,70 | 13,05 |
| 29 | C00650 | 2 | | Dado - Bolt | 10 | 8,00 | 9,76 |
| 30 | 200Z12700A | 1 | | Chiusura Scocca - Body Cover | 1 | 6,15 | 7,50 |
| 30 | CS_D0072 | 1 | Only BlackLine | Chiusura Scocca - Body Cover | 1 | 6,15 | 7,50 |
| 31 | A850476 | 5 | | Vite - Screw | 100 | 17,00 | 20,74 |
| 33 | A850445 | 9 | | Vite - Screw | 100 | 17,00 | 20,74 |
| 34 | CS_D0041 | 1 | | Chiusura Frontale - Frontal Cover | 1 | 10,30 | 12,57 |
| 35 | 200Z23500AC | 1 | | Gruppo Scocca - Body Set | 1 | 128,00 | 156,16 |



| Rif. | Code | Qt.in Robot | | (IT) Descrizione * (GB) Description | MOQ | Net Price | Public Price |
|------|--------------|-------------|---------------|---|-----|-----------|--------------|
| 1 | CS_C0009/212 | 1 | Brushless | (Brushless) - Motore di Taglio - Group Cutting Motor | 1 | 331,00 | 403,82 |
| 1 | CS_C0009/F_2 | 1 | Brush Motor | (FS) - Motore di Taglio - Group Cutting Motor | 1 | 246,80 | 301,10 |
| 2 | CS_D0122_01 | 1 | Brush Motor | (FS) - Encoder Lama - Blade encoder | 1 | 26,40 | 32,21 |
| 3 | CS_C0121_01 | 1 | Brush Motor | (FS) - Kit Spazzole e Portaspazzole - Brush & Brush housing | 1 | 26,80 | 32,70 |
| 3 | CS_C0058 | 2 | Brush Motor | (FS) - Spazzola lama - Blade Brush | 1 | 4,30 | 5,25 |
| 5 | CS_D0023 | 1 | | Supporto Motore - Motor support | 1 | 13,10 | 15,98 |
| 6 | A850520 | 1 | | Vite - Screw | 10 | 10,30 | 12,57 |
| 7 | CS_A0003_01 | 1 | | Anello - Ring | 1 | 14,60 | 17,81 |
| 9 | 200Z25900A | 2 | | Scheda Sollevamento - Lift board | 1 | 22,00 | 26,84 |
| 10 | CS_C0030 | 2 | | Sege - Sege | 100 | 22,60 | 27,57 |
| 11U | 200Z28000A | 4 | | Boccola superiore - Upper bush | 1 | 3,10 | 3,78 |
| 11D | 200Z28100A | 4 | | Boccola inferiore - Lower bush | 1 | 3,90 | 4,76 |
| 12 | C00119 | 4 | | Cuscinetto - Bearing | 1 | 6,15 | 7,50 |
| 13 | C00121 | 2 | | Oring - Oring | 8 | 6,35 | 7,75 |
| 14 | C00124 | 2 | | Anello - Ring | 8 | 14,40 | 17,57 |
| 15 | 300Z02500A | 2 | | Anello - Ring | 8 | 20,30 | 24,77 |
| 16 | 110Z34200A | 2 | | (No Magn.) Ruota Anteriore - Front Wheel | 1 | 38,40 | 46,85 |
| 17 | 200Z26300A | 1 | | Albero Destro - Right Shaft | 1 | 19,30 | 23,55 |
| 17 | 200Z26500A | 1 | | Albero Sinistro - Left Shaft | 1 | 19,30 | 23,55 |
| 18 | C00361 | 2 | | Rondella - Washer | 8 | 6,35 | 7,75 |
| 19 | C00360 | 2 | | Rondella Dentata - Toothed Washer | 8 | 6,35 | 7,75 |
| 20 | C00678 | 2 | | Vite - Screw | 8 | 10,05 | 12,26 |
| 21 | 200Z26700A | 1 | | Gruppo Ruota Destra - Right Wheel Group | 1 | 54,40 | 66,37 |
| 21 | 200Z26600A | 1 | | Gruppo Ruota Sinistra - Left Wheel Group | 1 | 54,40 | 66,37 |
| 22 | CS_C0030 | 2 | | Sege - Sege | 100 | 22,60 | 27,57 |
| 23 | CS_A0005_D | 2 | | Copertura - Cover | 1 | 5,55 | 6,77 |
| 24 | ENCRUO321 | 2 | Only P42Brush | Encoder - Encoder | 1 | 17,20 | 20,98 |
| 25 | 300_C0300 | 4 | Only P42Brush | (IMS) - Spazzola - Brush | 1 | 3,50 | 4,27 |
| 26 | CS_C0126_01 | 2 | Only P42Brush | Motore + Encoder - Motor with Encoder | 1 | 49,20 | 60,02 |
| 27 | C00752 | 2 | | Chiavetta - Key | 20 | 9,00 | 10,98 |
| 28 | C00783 | 2 | | Grano - Grain | 100 | 28,20 | 34,40 |
| 29 | 300Z13500A.2 | 2 | | Esagono - Hexagon | 1 | 6,55 | 7,99 |
| 30 | C00031 | 2 | | Rondella - Washer | 10 | 2,00 | 2,44 |
| 31 | C00023 | 2 | | Vite - Screw | 10 | 2,85 | 3,48 |
| 32 | 321_A0106_BB | 2 | P42 Brushless | Motoriduttore - Motor Reducer | 1 | 250,00 | 305,00 |
| 32 | 321_A0106_00 | 2 | P42 Brush | Motoriduttore - Motor Reducer | 1 | 177,40 | 216,43 |
| 33 | 300_D0037_01 | 2 | | Supporto Ruota - Wheel support | 1 | 10,30 | 12,57 |
| 34 | C00140 | 8 | | Vite - Screw | 8 | 10,05 | 12,26 |
| 35 | VCW50625 | 2 | | Oring - Oring | 1 | 7,80 | 9,52 |
| 36 | 200Z00900A | 2 | | Gomma Ruota - Tire | 1 | 14,80 | 18,06 |
| 37 | 200Z01200A | 2 | | Ruota Posteriore - Rear Wheel | 1 | 39,40 | 48,07 |
| 38 | C00217 | 2 | | Rondella - Washer | 10 | 7,60 | 9,27 |
| 39 | A850550 | 2 | | Vite - Screw | 100 | 28,00 | 34,16 |
| 40 | CS_D0046 | 1 | | Guarnizione - Gasket | 10 | 8,00 | 9,76 |
| 41 | CS_D0049 | 1 | | Piastra - Plate | 1 | 5,15 | 6,28 |
| 42 | 200Z00100A | 1 | | Campana - Bell | 1 | 19,90 | 24,28 |
| 43 | 300Z00200A | 1 | | Supporto Campana - Bell Support | 1 | 10,30 | 12,57 |
| 44 | C00041 | 4 | | Vite - Screw | 100 | 20,60 | 25,13 |
| 45 | CS_D0112_02 | 1 | 4KF Ø29 Cm | Lama piana a 4 Punte - 4 knives flate blade | 1 | 22,20 | 27,08 |
| 45 | 200Z05300A | 0 | 8KF Ø29 Cm | Lama piana a 8 Punte - 8 knives flate blade | 1 | 34,00 | 41,48 |
| 45 | 200Z05100A | 0 | 8KF Ø24 Cm | Lama piana a 8 Punte - 8 knives flate blade | 1 | 27,60 | 33,67 |
| 46 | C00212 | 4 | | Vite - Screw | 100 | 19,50 | 23,79 |
| 47 | C02129 | 2 | | Anello - Ring | 10 | 4,00 | 4,88 |



| Rif. | Code | Qt.in Robot | (IT) Descrizione * (GB) Description | MOQ | Net Price | Public Price |
|------|---------------|-------------|--|-----|------------|--------------|
| 1 | CS_C0106/1 | 1-2 | Lithium (25.5V 7.5A) (Type B) - Batteria - Battery | 1 | to enduser | 280,00 |
| 2 | A850199 | 4 | Vite - Screw | 100 | 25,80 | 31,48 |
| 3 | 300_D0036_00 | 2 | StaffaBatteria 7.5Ah - Battery Bracket 7.5Ah | 1 | 5,55 | 6,77 |
| 3a | CS_C0025_03 | 2 | Guarnizione - Gasket | 10 | 5,15 | 6,28 |
| 4 | CB06_L200 | 1 | CPU-batteria - Cabling CPU-Battery | 1 | 6,35 | 7,75 |
| 4 | CB06_HR200 | 1 | Hirose Connector CPU-batteria - Cabling CPU-Battery | 1 | 6,70 | 8,17 |
| 7 | 110A00100A | 1 | Bobina - Coil | 1 | 40,00 | 48,80 |
| 8 | 200Z03000A | 1 | Bloccascheda - Board block | 1 | 5,75 | 7,02 |
| 9 | CB01_DI6 | 1 | CPU-Display - Cabling CPU-Display | 1 | 6,20 | 7,56 |
| 10 | 050E00500A | 1 | (RX-C1) Ricevitore - Receiver | 1 | 98,00 | 119,56 |
| 11 | 051E01000A | 1 | (IOS + Android) Ricevitore Bluetooth - Bluetooth Receiver | 1 | 118,00 | 143,96 |
| 12 | A210517 | 1 | F4 - 250V 500/630mAD Fusibile - Fuse - (500 Ceramic 630 Glass) | 10 | 10,30 | 12,57 |
| 13 | A210543 | 1 | F3 - 32V 30A Fusibile - Fuse | 10 | 10,90 | 13,30 |
| 14 | A210540 | 1 | F1 - 32V 1A Fusibile - Fuse | 10 | 10,30 | 12,57 |
| 15 | AM2000-12B-SP | 1 | Brushless Scheda Madre - Mother Board (Brushless) | 1 | 384,00 | 468,48 |
| 15 | | 1 | - | | | |
| 16 | 300E01200A | 1 | Display - Display | 1 | 196,00 | 239,12 |
| 17 | CS_D0035_01 | 1 | Carter Posteriore - Back Carter | 1 | 20,60 | 25,13 |
| 18 | 200Z20800A | 1 | Tastiera - Keyboard | 1 | 39,00 | 47,58 |
| 19 | 200Z20900A | 1 | Adesivo Pioggia - Rain Adhesive | 1 | 3,50 | 4,27 |
| 20 | CS_D0094 | 1 | Pomello Pioggia - Rain Contact | 1 | 17,20 | 20,98 |
| 21 | CS_D0095 | 1 | Pomello Pioggia Eccentrico - Excentrical Rain Contact | 1 | 19,30 | 23,55 |
| 22 | 200Z01300A | 2 | Artiglio Ruota - Wheel Spike | 1 | 27,40 | 33,43 |



11
Use only with 200Z01300A "Wheel Spike"
Usa solo con 200Z01300A "Artiglio Ruota"

Tav. **05** 0
 Tab.
 Taf.

Prezzo 22% IVA Inclusa. Price with 22% VAT Included.

Prezzo senza IVA. Price without VAT

| Rif. | Code | Qt.in Robot | | (IT) Descrizione * (GB) Description | MOQ | Net Price | Public Price |
|------|--------------|----------------|------------|---|-----|--------------|-----------------|
| 1 | CS_CLG150-30 | 1 | | (5A) Caricabatteria - Battery Charger | 1 | 118,00 | 143,96 |
| 2 | BA210B_AM17 | 1 | Ambrogio | Base Completa - Complete Base | 1 | 356,00 | 434,32 |
| 2 | BA210B_BL17 | 1 | Black Line | Base Completa - Complete Base | 1 | 356,00 | 434,32 |
| 3 | 030Z14300A.2 | 1 | Ambrogio | Copertura Garage - Garage Cover | 1 | 88,00 | 107,36 |
| 3 | CSB030CA_00 | 1 | Black Line | Copertura Garage - Garage Cover | 1 | 91,00 | 111,02 |
| 5 | CB01_23S2 | 1 | | Cavo alimentazione ricarica - Recharging supply cable | 1 | 39,70 | 48,43 |
| 6 | 030Z11200A | 1 | | Piastra di Ricarica destra - Right recharging plate | 1 | 29,00 | 35,38 |
| 6 | 030Z10900A | 1 | | Piastra di Ricarica sinistra - Left recharging plate | 1 | 29,00 | 35,38 |
| 7 | CB01_PONTE | 2 | | Cavo Ponte - Bridge Wire | 1 | 6,90 | 8,42 |
| 8 | 051Z32500A | 1 | | (TX-C1) Trasmettitore - Transmitter | 1 | 110,00 | 134,20 |
| 9 | 030Z10300A | 2 | | Coperchio Laterale - Lateral cap | 1 | 14,40 | 17,57 |
| 10 | 200Z13200A | 1 | | Pianale di appoggio - Floor support | 1 | 59,60 | 72,71 |
| 11 | 030Z15200A | 2 | | Distanziale - Spacer | 1 | 12,30 | 15,01 |