

# Ambrogio Robot L85

MD-CO-RO-22 - Rev. 2.1 - 01/12/2014 - Ambrogio Robot L85

Previous Revision 2.0

## Spare Parts Catalogue

Current Revision 2.1

From 2015-01

**Rif.** Verde significa compatibile con il codice precedente  
**Rif.** Green means compatible with the previous code

### Models Type Included

5085DE0	<b>Ambrogio Robot L85 Deluxe</b>
5085EVO	<b>Ambrogio Robot L85 Evolution</b>
5085ELO	<b>Ambrogio Robot L85 Elite</b>

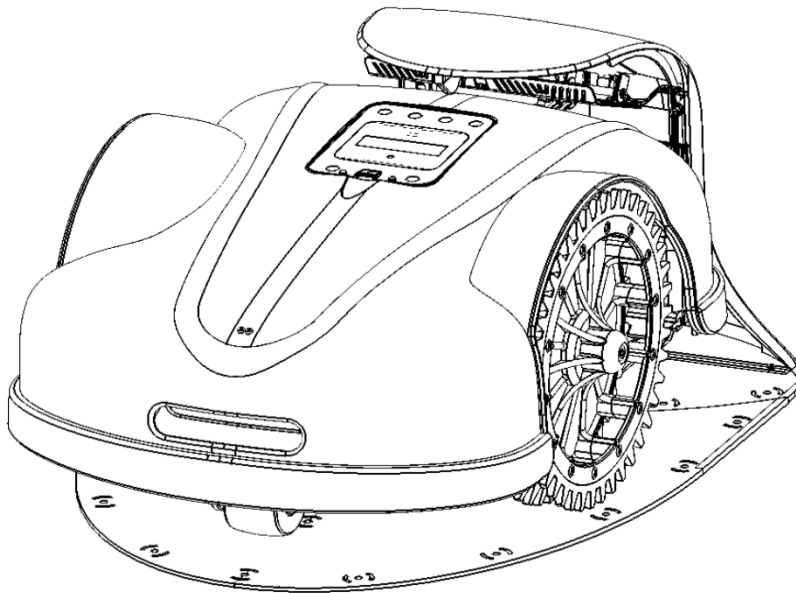
FITS ONLY ON MODELS WITH SERIAL NUMBER

SOLO SU MODELLI CON SERIAL NUMBER

MODELS

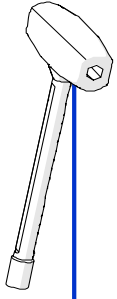
MODELLI

X	X	0	8	5	X	X	X	n	n	n	n	n	n	n	n
---	---	---	---	---	---	---	---	---	---	---	---	---	---	---	---

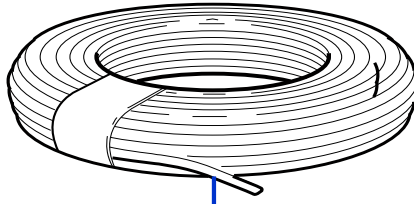


**Price List. Only for Italy. Delivery cost not included**  
**Listino al pubblico. Trasporto non incluso**

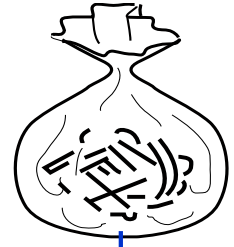
**ZUCCHETTI**  
**CENTRO SISTEMI**  
 LE SOLUZIONI CHE CREANO SUCCESSO



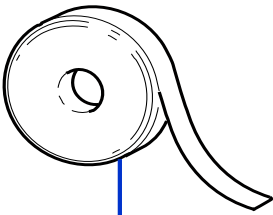
1



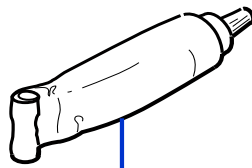
2



3



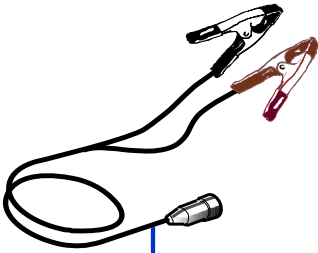
4



5



6



7



8

Tav. **01**      **0**  
 Tab.  
 Taf.

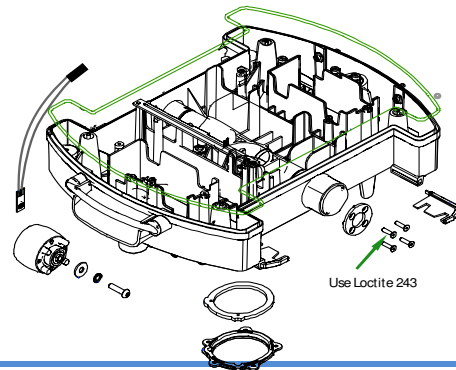
Rif.	Code	Qt.in Robot		(IT) Descrizione * (GB) Description	MOQ
1	075_D005	1		Chiave - Screwdriver	1
2	CS_E0002OS	0-1	MT 100	Cavo - Cable	1
2	CS_E0002	0-1	MT 150	Cavo - Cable	1
2	CS_E0002_2	0	MT 200	Cavo - Cable	1
2	CS_E0002_3	0	MT 300	Cavo - Cable	1
2	CS_E0002_5	0	MT 500	Cavo - Cable	1
2	CS_E0002_10	0	MT 1000	Cavo - Cable	1

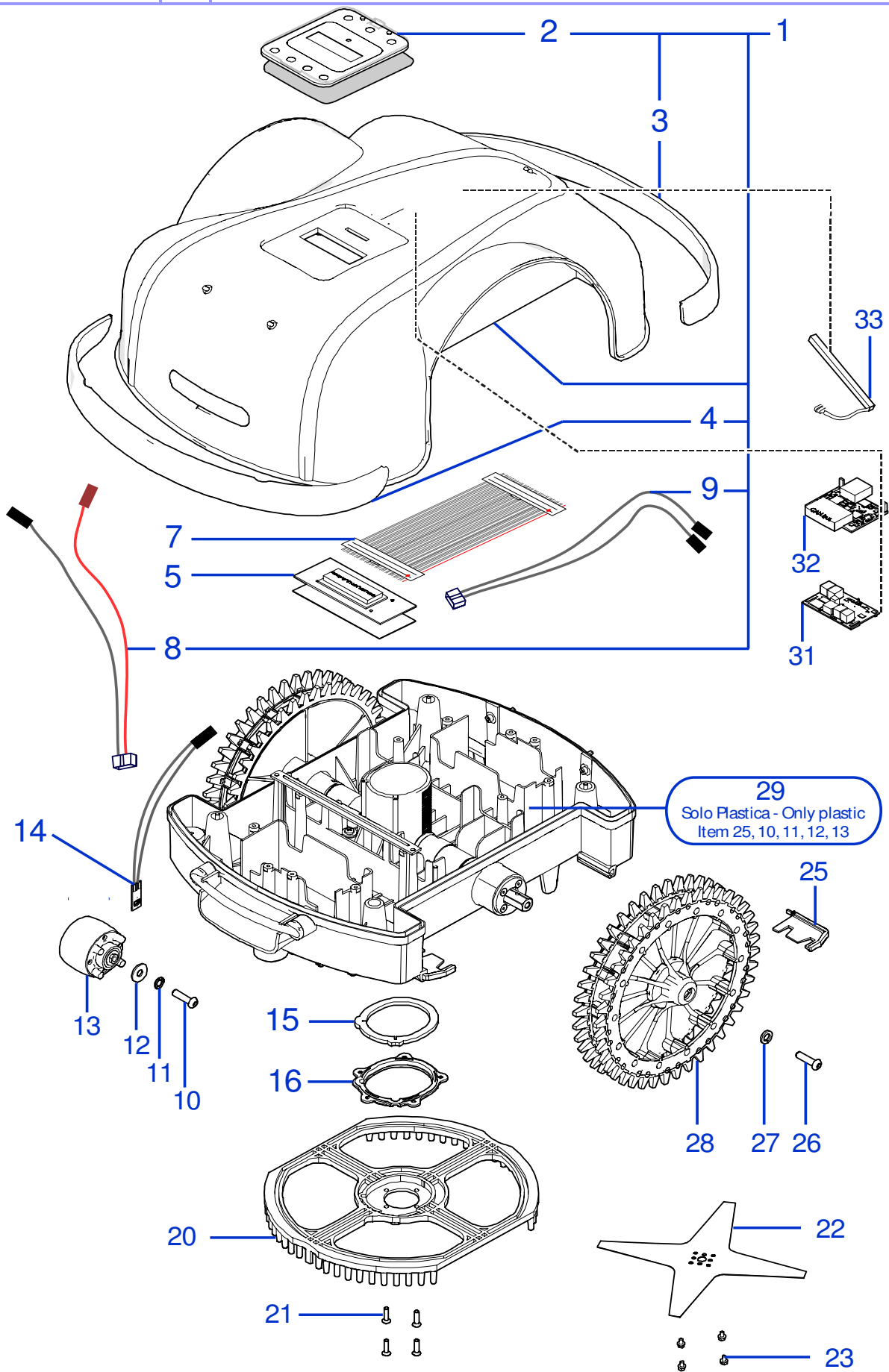
**Consegna in 45 giorni dall'ordine - Delivery Time 45 days from order date**

3	AMBCHFEFI_1	0-1	(100 Pz)	Conf. Chiodi - Nails Bag	1
3	AMBCHFEFI	0-1	(200 Pz)	Conf. Chiodi - Nails Bag	1
4	CS_C0111	0		Nastro Agglomerante - Stretch Electrical Tape	1
5	CS_C0109	0	200 Gr	Grasso - Grease	1
6	AMBCAPROG	0		Programming Cable - Cavo Programmazione	1
7	CB01RICINV3	0		Kit Ricarica Invernale - Kit for Winter Garaging	1
8	CS_GSM-GPRS	0	Only L85 Elite	Kit - Scheda GPRS - GPRS Board kit	1

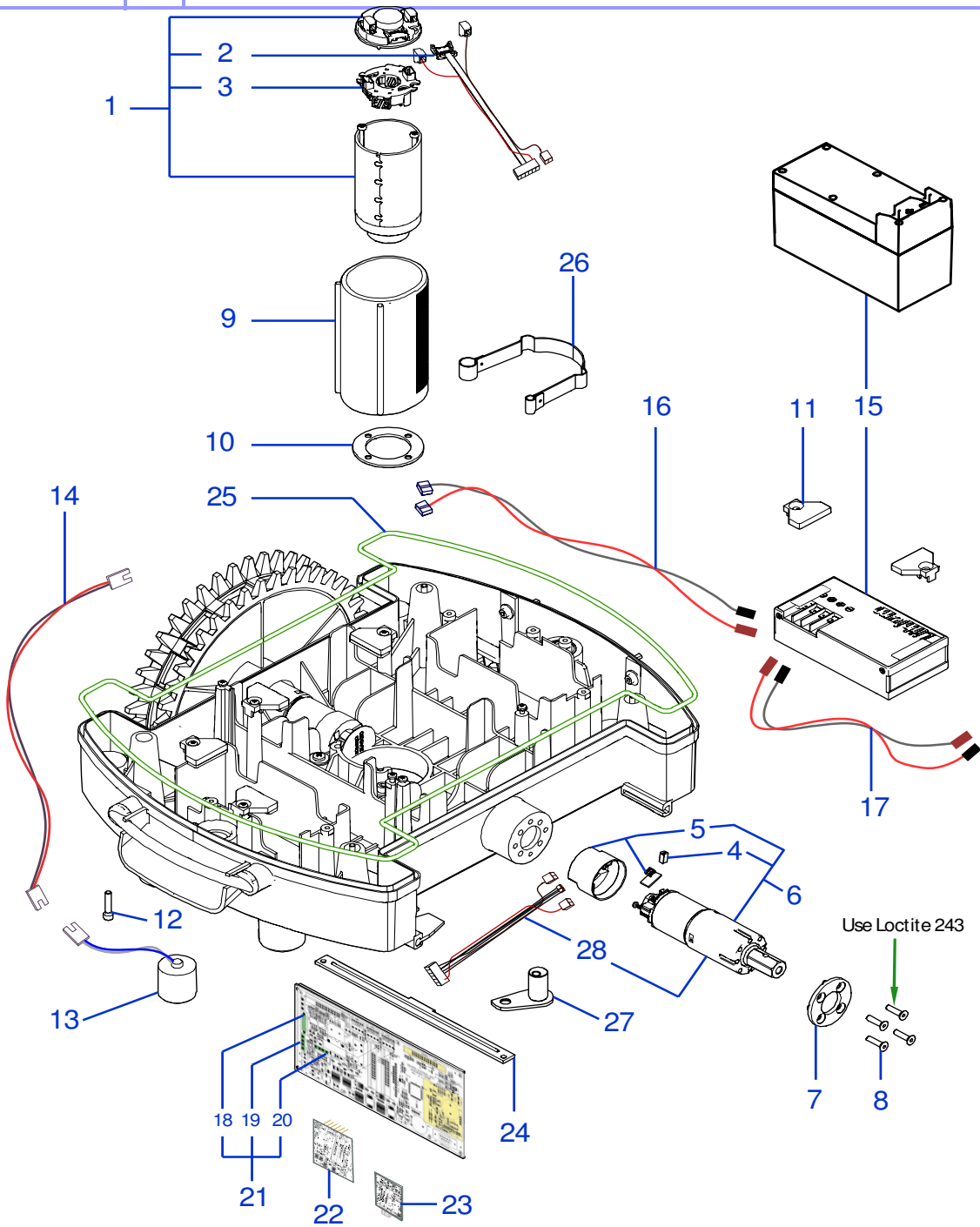
Solo per rivenditori  
 Only for dealer

Code	(IT) Descrizione * (GB) Description	MOQ	Net Price
CS_E0032	Kit test batteria - battery test Kit	1	
CS_BT_USB	Convertitore USB-Bluetooth - USB-Bluetooth Converter	1	
075A0009	Aggiornamento V3->V4E - Upgrade Kit V3->V4E	1	

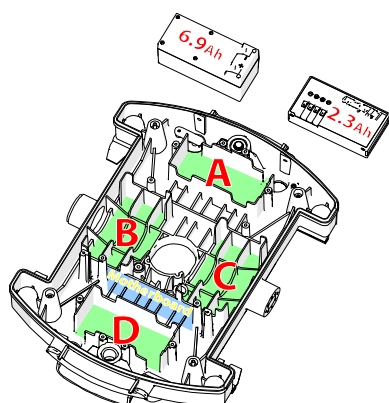




Rif.	Code	Qt.in Robot		(IT) Descrizione * (GB) Description	MOQ
1	085_A0010_D	1	L85 Deluxe	Gruppo Calotta - Cap Set	1
1	085_A0010_E	1	L85 Evolution	Gruppo Calotta - Cap Set	1
1		1		-	
1	085_A0010_L	1	L85 Elite	Gruppo Calotta - Cap Set	1
2	075Z19200A	1		Tastiera - Keyboard	1
3	075Z05000A	1		Paraurti - Bumper	1
4	075Z04900A	1		Paraurti - Bumper	1
<b>IT : Paraurti-Pulire la superficie ed incollare con Loctite 406</b> <b>EN : Bumper - Clean the surface and glue with Loctite 406</b>					
5	200E01000A	1		Display - Display	1
7	CB01_DI6	1		CPU-Display - Cabling CPU-Display	1
8	CB01_L75	1		Cavo Ricarica - Recharge Cabling	1
9	CB02_L75	1		Cavo Sensore Pioggia - Rain sensor Cabling	1
10	C01209	2		Vite - Screw	8
11	C00360	2		Rondella Dentata - Toothed Washer	8
12	C00361	2		Rondella - Washer	8
13	075Z14600A	2		Ruota Anteriore - Front Wheel	1
14	075E00600A	2		Encoder Ruota - Wheel Encoder	1
15	075Z16000A	1		Guarnizione - Gasket	1
16	075Z13600A	1		Piastra - Plate	1
20	075Z07600A.1	1		Campana - Bell	1
21	C00252	4	M5x20	Vite - Screw	10
22	CS_D0155	0	4KF Ø22 Cm	Lama piana a 4 Punte - 4 knives flate blade	1
22	075Z07800A	0-1	4KF Ø25 Cm	Lama piana a 4 Punte - 4 knives flate blade	1
22	CS_D0112_02	0-1	4KF Ø29 Cm	Lama piana a 4 Punte - 4 knives flate blade	1
23	C00212	1	M4x8	Vite - Screw	100
25	075Z10700A	2		(Toothed Wheel) Pulisci ruota - Wheel Cleaning	8
25	075Z19600A	2		(Wheel tire) Pulisci ruota - Wheel Cleaning	8
26	C01518	2	M8x12	Vite - Screw	8
27	C00217	2		Rondella - Washer	10
28	075Z02000A	2		Ruota Dentata 2 denti - Toothed Wheel 2 teeth	1
28	075Z10400A	2		Ruota Dentata 3 denti - Toothed Wheel 3 teeth	1
28	075Z19500A	2		Ruota con copertone - Wheel with tire	1
29	085Z16500A	1		Scocca (Solo Plastica) - Body (Only Plastic)	1
31	400E02200A	1	Only L85 Elite	Scheda GPRS - GPRS Board	1
32	400E02400A	1	Only L85 Elite	Esp.Seriale - Serial Exp.	1
33	CS_ANT_GSM	1	Only L85 Elite	Antenna - Antenna	1

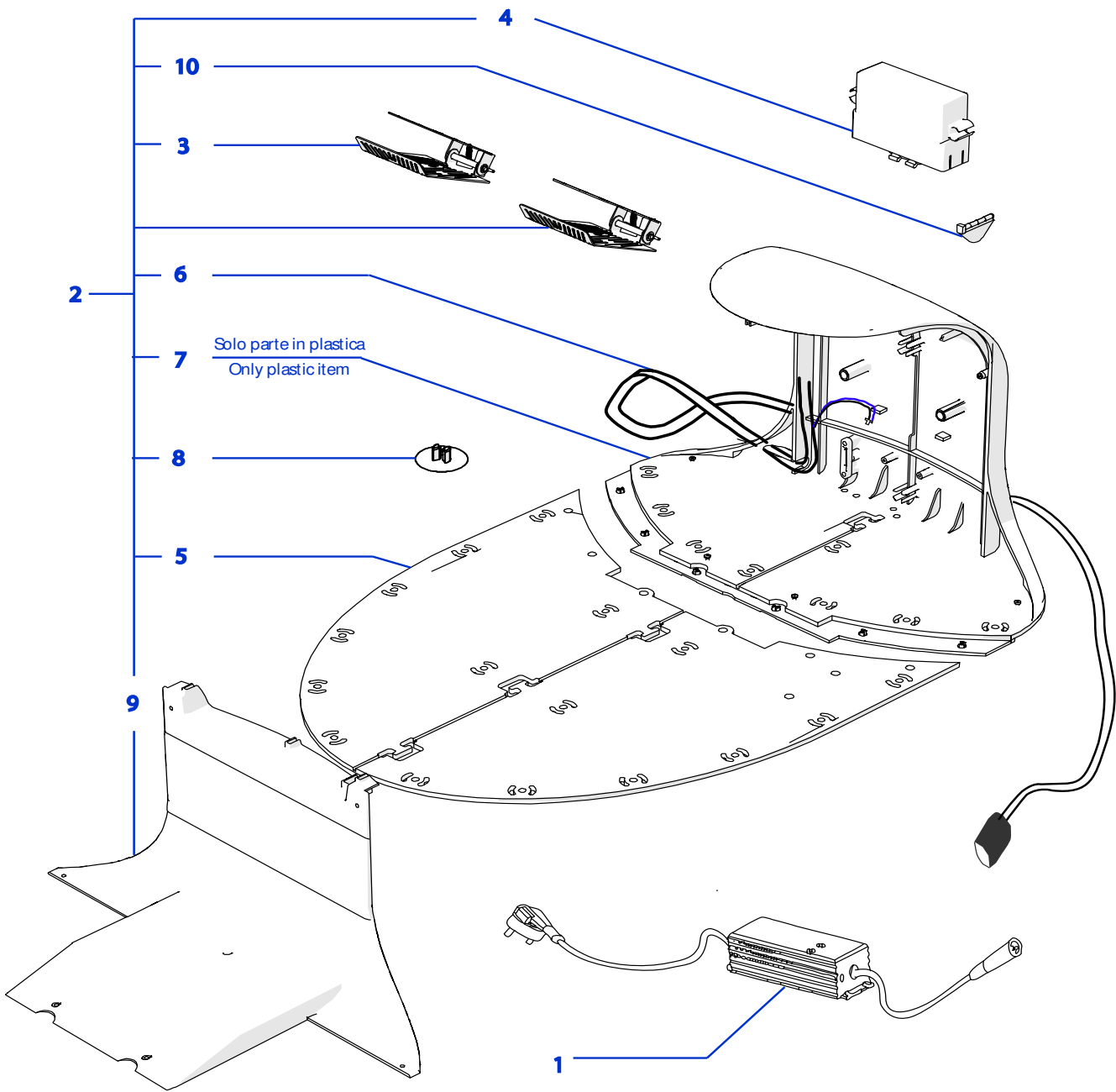


Rif.	Code	Qt.in Robot		(IT) Descrizione * (GB) Description	MOQ	
1	CS_C0009/F_2	1	Brush Robot	(FS) - Motore di Taglio - Group Cutting Motor	1	
1	CS_C0009/212	1	Brushless Robot	(Brushless) - Motore di Taglio - Group Cutting Motor	1	
2	CS_D0122_01	1	Only x Brush	(FS) - Encoder Lama - Blade encoder	1	
3	CS_C0121_01	1	Only x Brush	(FS) - Kit Spazzole e Portaspazzole - Brush & Brush housing	1	
3	CS_C0058	2	Only x Brush	(FS) - Spazzola lama - Blade Brush	1	
4	075_D0014	4	Only x Brush	(FS) - Spazzola - Brush	1	
5	075_D0232	2	Only x Brush	Kit Encoder - Kit Encoder	1	
6	075Z08500A	2	Brush Robot	(FS) - Motoriduttore - Motor Reducer	1	
6	075Z11000A	2	Brushless Robot	(Brushless) - Motoriduttore - Motor Reducer	1	
7	075Z06900A	2		Supporto Ruota - Wheel support	1	
8	C01317	8		Vite - Screw	100	
9	075Z04500A	1		Supporto Motore - Motor support	1	
10	400Z07500A	1		Supporto - Support	1	
11	110Z12900A	2		Fissaggio Batteria - Battery Clamp	1	
12	C00067	4	M5X25	Vite - Screw	10	
13	CS_C0004_L	2		Bobina - Coil	1	
14	CB06_L75	1		Prolunga Bobina - Cabling Coil-Receiver	1	
15	075Z01300A	1-2	Lithium (25.9V 2.5A)	(Type B) - Batteria - Battery	1	
15	CS_C0106/1	1	Lithium (25.9V 7.5A)	(Type B) - Batteria - Battery	1	
16	CB03_L75	1		CPU-batteria - Cabling CPU-Battery	1	
17	CB04_L75	0-1		batteria-batteria - Cabling Battery-Battery	1	
18	A210517	1	F4 - 250V 500/630mAD	Fusibile - Fuse - (500 Ceramic 630 Glass)	10	
19	A210543	1	F3 - 32V 30A	Fusibile - Fuse	10	
20	A210540	1	F1 - 32V 1A	Fusibile - Fuse	10	
21	AM10-085D	1	Deluxe	Scheda Madre - Mother Board	1	
21	AM10-085E	1	Evolution	Scheda Madre - Mother Board	1	
21		1		-		
21	AM10-085L	1	Elite	Scheda Madre - Mother Board	1	
22	50_E0055_00	1		(RX-S1) Ricevitore - Receiver	1	
23	051E00400A	1	( IOS + Android)	Ricevitore Bluetooth - Bluetooth Receiver	1	
24	200Z03000A	1		Bloccascheda - Board block	1	
25	075Z09400A	1		Guarnizione - Gasket	1	
26	075Z08700A	1		Piastra Elastica - Elastic plate	1	
27	075Z07200A	1		Piastra fissaggio - Fixing plate	1	
28	CB01_MRS_670	2	Brush Robot	Cablaggio Motore - Motor Cabling	1	



**Battery installation position (Posizione di installazione delle batterie)**

- Robot with (Robot con) 1 x 2.3Ah : A=2.5Ah
- Robot with (Robot con) 2 x 2.3Ah : A=2.5Ah, D=2.5Ah
- Robot with (Robot con) 2 x 2.3Ah : A=2.5Ah, C=2.5Ah
- Robot with (Robot con) 1 x 6.9Ah : A=7.5Ah





Tav. **04**      **0**  
 Tab.  
 Taf.

<i>Rif.</i>	<i>Code</i>	<i>Qt.in Robot</i>		<i>(IT) Descrizione * (GB) Description</i>	<i>MOQ</i>	
1	HLN60H29ZU	1	Deluxe, Evolution	(2.3Ah) Caricabatteria - Battery Charger	1	
1	CS_CLG150-30	1	Elite	(5Ah) Caricabatteria - Battery Charger	1	
2	075Z06200A_V15	1		Base Completa - Complete Base	1	
3	300Z11400A	2		Piastra di Ricarica - Recharging Plate	1	
4	051Z17100A	1		(TX-S2) Trasmettitore - Transmitter	1	
5	075Z06500A	1		Base - Base	1	
6	CB01_85S2	1		Cavo alimentazione ricarica - Recharging supply cable	1	
7	075Z06300A.1	1		Supporto Piastre - Plate support	1	
8	C01101	12		Clips - Clips	12	
9	075Z06400A	1		Coperchio - Cap	1	
10	075Z06700A	1		Gomma - Rubber	1	