

# Ambrogio Robot L50EU

Rev. "A"

Rev. "A" - Gennaio 2009  
Rev. "A" - January 2009

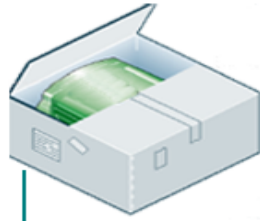
Catalogo Parti di Ricambio  
Spare Parts Catalogue



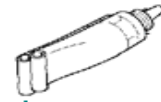
**ZUCCHETTI**  
**CENTRO SISTEMI**  
LE SOLUZIONI CHE CREANO SUCCESSO



1



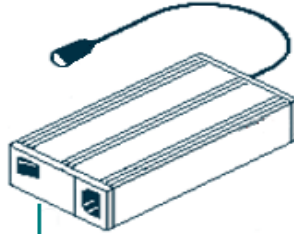
2



3



4



5



6



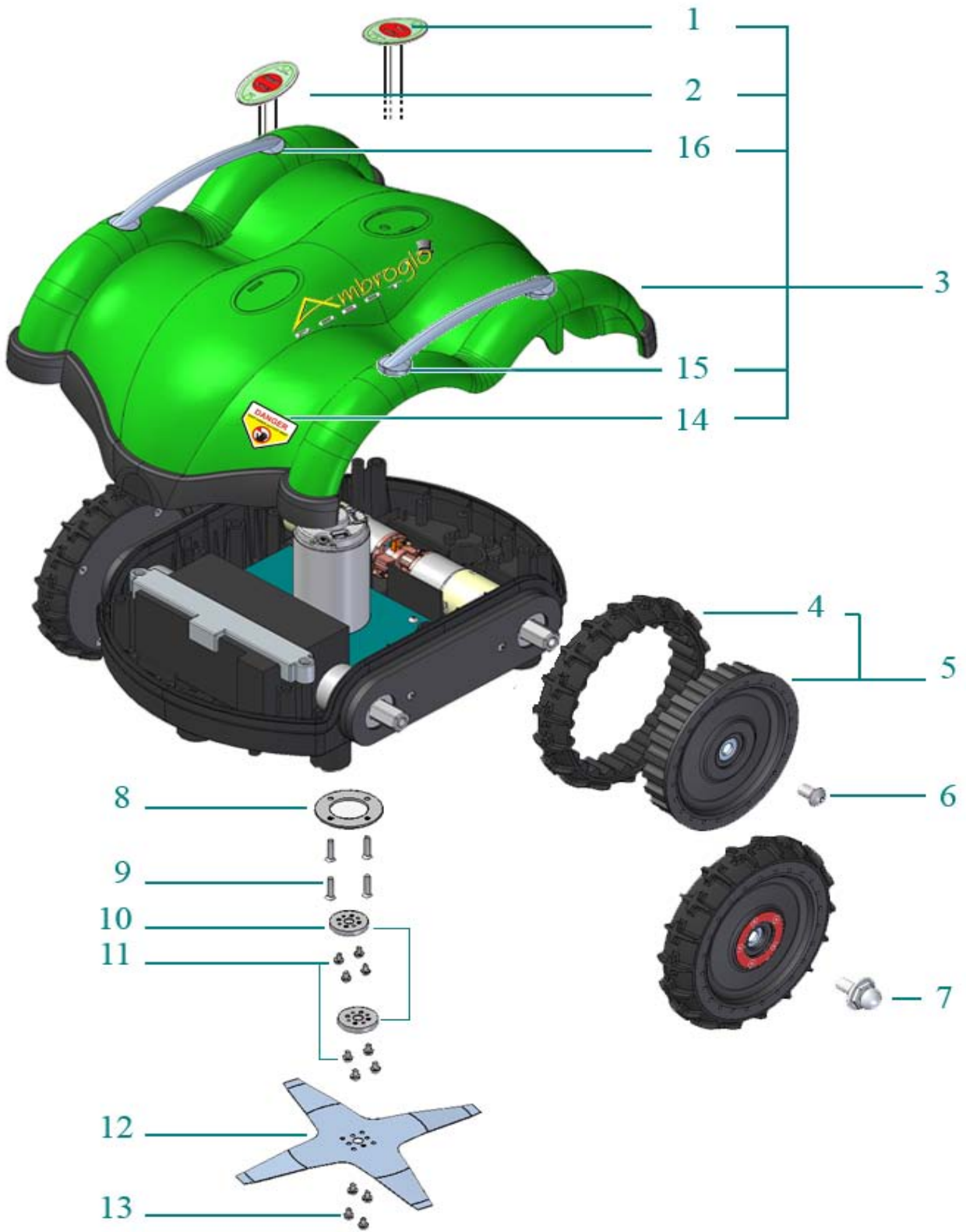
7

Tav. **01**  
 Tab. **0**  
 Taf.

rezzo 20% IVA Inclusa. Price with 20% VAT Included.

Prezzo senza IVA. Price without VAT

Rif.	Code	Qty. Part.	Sigla	(IT) Descrizione * (GB) Description	Qty. Price	Net Price	Public Price
1	50_MM_L50EU	1		(EU) - Manuale d'uso - User's Manual	1	11,84	14,21
2	50_IMBALLO_MEU	1		(EU) - Imballo Robot - Robot Packaging	1	26,50	31,80
3	CS_C0109	1	200 Gr	Grasso - Grease	1	19,80	23,76
4	AMBR3000RN	1		Kit Ricarica - Kit for Charging	1	41,00	49,20
5	AMBEL003MWL	1	29.3V Lithium	Caricabatteria - Battery Charger	1	110,20	132,24
6	AMBCAALRE	1		Cavo Alimentazione - Supply Cable	1	7,80	9,36
7	50_D0018_00	1	25Cm - Star	Lama Piegata - Bent Blade	1	19,50	23,40

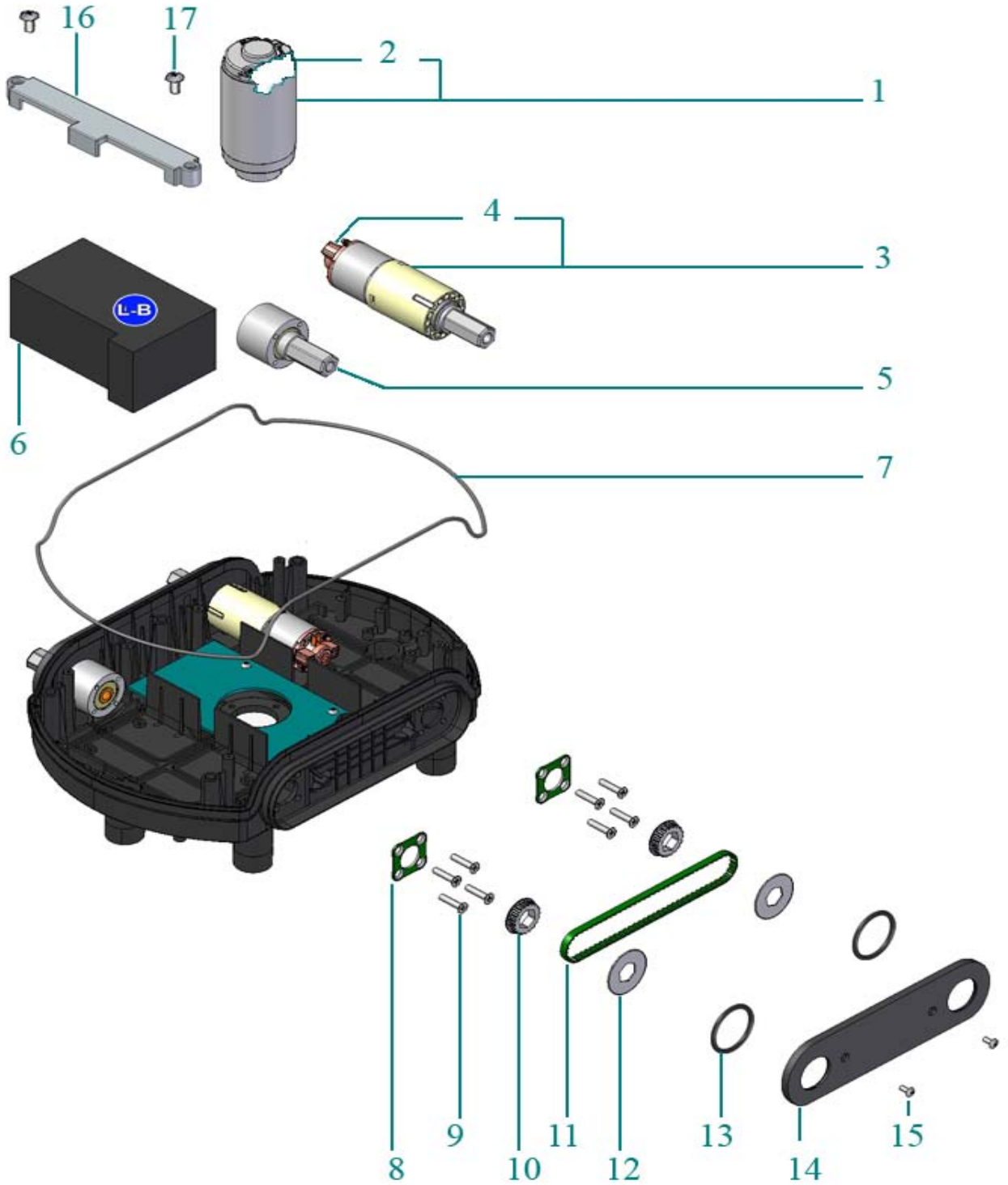


Tav. **02**  
 Tab. **0**  
 Taf.

Prezzo 20% IVA Inclusa. Price with 20% VAT Included.

Prezzo senza IVA. Price without VAT

Rif.	Code	Qty. Part.	Sigla	(IT) Descrizione * (GB) Description	Qty. Price	Net Price	Public Price
1	50_D0002_00	1		Tasto Start/Pause - Start/Pause Key	1	15,00	18,00
2	50_D0001_00	1		Tasto On/Off - On/Off Key	1	15,00	18,00
3	50_A0014_00	1		Gruppo Calotta - Cap Set	1	89,00	106,80
4	50_D0037	4		Copertone - Tire	1	12,40	14,88
5	50_A0009_00	4		Ruota - Rear	1	28,00	33,60
6	VTB1016X	2		Vite - Screw	10	-	-
7	50_D0017_00	2		Pomelli Ricarica - Charging Bolt	1	12,20	14,64
8	50_D0016_00	1		Supporto Motore - Motor Support	1	7,00	8,40
9	VMSPX5012	4	ISO 7046 M5X12	Vite - Screw	100	-	-
10	50_D0019_00	1		Distanziale - Spacer	1	13,60	16,32
11	BMET408RR	4		Vite - Screw	100	19,05	22,86
12	50_D0018_00	1	25Cm - Star	Lama Piegata - Bent Blade	1	19,50	23,40
13	BMET408RR	4		Vite - Screw	100	19,05	22,86
14	50_A0013_00	4		- Adhesive	1	19,05	22,86
15	50_D0045_00	1		Maniglia - Lifting handle	1	15,00	18,00
16	50_D0045_00	1		Maniglia - Lifting handle	1	15,00	18,00



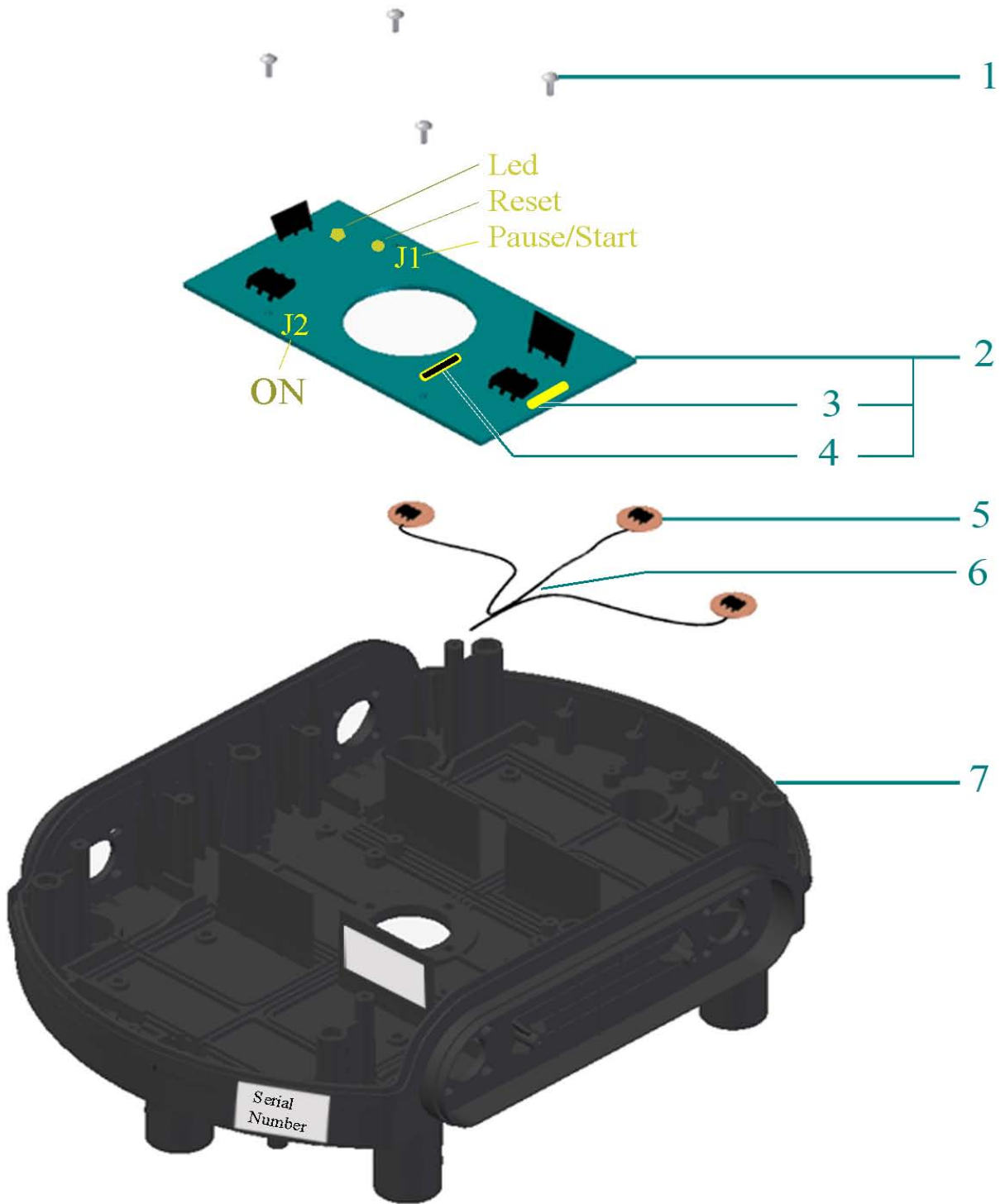
Tav. **03**  
 Tab. **0**  
 Taf.

Prezzo 20% IVA Inclusa. Price with 20% VAT Included.

Prezzo senza IVA. Price without VAT

Rif.	Code	Qty. Part.	Sigla	(IT) Descrizione * (GB) Description	Qty. Price	Net Price	Public Price
1	CS_C0009/F	1	24V-25-3000	Motore di Taglio - Cutting Motor	1	158,00	189,60
2	CS_C0121_01	1		(FS) - Spazzole - Brush	1	26,20	31,44
3	50_A0005_00	2		Motoriduttore - Motor Reducer	1	146,00	175,20
4	300_C0300	4	10x5x5	Spazzola - Brush	1	2,80	3,36
5	50_A0002_00	2		(EU) - Perno Ruota Libero - Free wheel pin	1	48,00	57,60
6	CS_C0106/2	1	Lithium (25.2V 6.9A)	(Type A) - Batteria - Battery	1	Net Price	232,00
7	50_C0009_00	1		Guarnizione - Gasket	1	4,20	5,04
8	50_D0003_00	4		Piastra - Plate	1	5,20	6,24
9	VM50SPX5022	16	M5Ts	Vite - Screw	100	19,50	23,40
10	50_D0004_00	4		Puleggia - Pulley	1	7,20	8,64
11	50_C0001_00	2		Cinghia - Belt	1	9,60	11,52
12	50_D0005_00	4		Rondella - Washer	10	6,80	8,16
13	50_C0002_00	4		Oring - Oring	10	4,90	5,88
14	50_D0027_00	2		Carter - Carter	1	12,50	15,00
15	PLC4010TX	4	10.9 M4x10	Vite - Screw	100	-	-
16	50_D0041_00	1		Fissaggio Batteria - Battery Clamp	1	6,50	7,80
17	PLC4010TX	2		Vite - Screw	100	-	-







Tav. **04**  
 Tab. **0**  
 Taf.

Prezzo 20% IVA Inclusa. Price with 20% VAT Included.

Prezzo senza IVA. Price without VAT

Rif.	Code	Qty. Part.	Sigla	(IT) Descrizione * (GB) Description	Qty. Price	Net Price	Public Price
1	PLC3010	4	10.9 M3x10	Vite - Screw	100	24,00	28,80
2	50_SMEU_01	1		Scheda Madre - Mother Board	1	280,00	336,00
3	A210541	1	32V 20A	Kit Fusibili - Fuse Kit	10	10,60	12,72
4	A210540	1	32V 1A	Kit Fusibili - Fuse Kit	10	10,00	12,00
5	50_E0007_00	6		Sensore Erba - Grass Sensor	1	12,40	14,88
6	50_E0006_00	2		Cavo - Wire	1	8,40	10,08
7	50_D0021_00	1		Scocca - Body	1	63,00	75,60